

CJ Series

HEAVY DUTY TUNING-FORK BALANCE



WATER PROOF

FINE-PARTICLE PROOF

STAINLESS STEEL CASE



JQA-2834 ISO 14001:2004
JQA-QMA13875 ER-00130

SHINKO DENSHI CO., LTD.

IP 65 WATER & DUST PROOF BALANCE

CJ Series

Premier Class Precision Balance

- Heavy duty
- High performance
- Reliable measurement



As heavy-duty high-precision balance with water & dust proof feature, CJ series promises the excellent performance in any environment, dust atmosphere, mist, oil splashes, dark condition... etc. The stainless-steel upper case is resistant to chemical products, and easy to clean.

CJ series provides multi-function & multi-mode measurement and covers the wide weighing range from 220g to 15kg with minimum readability 0.01g.

This is the best solution to your every needs.



Minimize the response time and keep the indication stable

Unique tuning-fork sensing system achieves the high speed response and stable indication necessary for reliable measurement. The fast response ensures the comfortable and efficient operation.



Clearly visible back light

Large LCD (18mm height) with blight back light make the weighing operation easy and comfortable even in the dark location.

Density Measurement

The density can be measured in "density measurement mode" with under-weighing hook (hook is option).



Animal weighing

CJ series has animal weighing mode which can accurately weigh the moving animal. The special bucket for animal weighing is available as option.



Stainless steel highly resistant to tough conditions

Mirror finished stainless steel housing easy to clean, durable to tough conditions.



Low energy-consuming, high portability

Low energy-consuming design allows CJ series to operate for 200 hours with dry-cell battery (when back-lit is OFF). It is very much suitable for mobile use (32-hour operation with dry-cell battery in case of back-lit ON).



Various measurement modes & functions for industrial weighing

Parts counting, percentage, comparator, density measurement... CJ is the answer to various requirements in the industrial weighing. You can easily set the appropriate mode with arrow key.



Connecting to outside devices

RS232C output is equipped as standard, easy connection to outside devices like PC. Plentiful outputs besides RS232C are available as option (special WP cable option is necessary when CJ should be used with RS232C output as water-proof).



Specifications

CJ-xxxCE stands for EC type approval model

with EC approval	CJ-220E CJ-220CE	CJ-320E CJ-320CE	CJ-620E CJ-620CE	CJ-820E CJ-820CE
Capacity	220g	320g	620g	820g
Readability	0.01g	0.01g	0.01g	0.01g
Non-linearity *1	±0.01g			
Repeatability *2	0.01g			
Pan size	140mm dia.			
Calibration	with external weight			
Weight units *3	g, ct, oz, lb, ozt, dwt, GN tl (Hong Kong), tl (Singapore, Malaysia), tl (Taiwan), momme, tola			
Dimensions(LWH)	310×208×87mm			

with EC approval	CJ-2200E CJ-2200CE	CJ-3200E CJ-3200CE	CJ-6200E CJ-6200CE	CJ-8200E CJ-8200CE	CJ-15KE CJ-15KCE
Capacity	2200g	3200g	6200g	8200g	15000g
Readability	0.1g	0.1g	0.1g	0.1g	1g
Non-linearity *1	±0.1g				±1g
Repeatability *2	0.1g				1g
Pan size	190×190mm				
Calibration	with external weight				
Weight units *3	g, ct, oz, lb, ozt, dwt, GN tl (Hong Kong), tl (Singapore, Malaysia), tl (Taiwan), momme, tola				
Dimensions(LWH)	310×208×87mm				

*1 typical value *2 standard deviation *3 only g, kg & ct are available in CE models.

* e=d for all CE models

Options

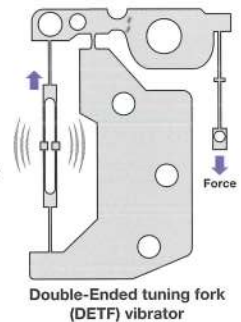
CJ-R4	RS422A output (D-sub 9p)
CJ-BZ	Buzzer output
CJ-LM	Relay contact (Din 9p)
CJ-LS	Full pack (BZ, RS, LM)
CJ-BT	Dry -cell battery
CJ-WR	Water-proof cable for RS232C output (9PWP-9P)
AJUH(S)	Under-weighing hook
CJ-AP(S)	Bucket for animal weighing (620g, 820g)
CJ-AP(M)	Bucket for animal weighing (2200-6200g)
CJ-AP(L)	Bucket for animal weighing (8200g-15kg)

Common Specification

Measuring system	Power source : AC120/230V 6DC
: Tuning-fork frequency sensing	Output : RS232C (standard)
Tare : Full weighing range	IP rating : 65
Display : LCD with Back-light	

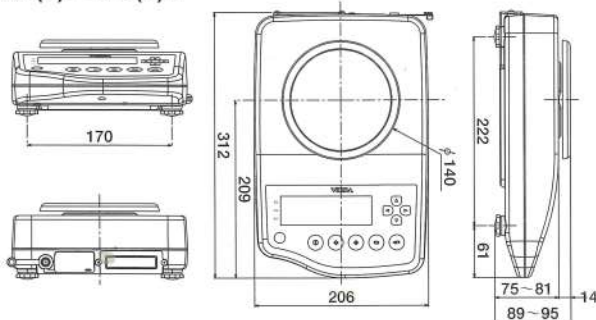
What makes the tuning-fork sensor so precise?

The tuning-fork sensor measures force or mass by gauging changes in oscillation frequency when a load is applied to a long, narrow vibrator, and it digitally outputs the readings. Unlike load cell or electromagnetic systems, the tuning-fork sensor does not rely on material distortion, electromagnetic force, heavy power consumption, or A/D converters, so its inherent margin of error is extremely small, and its high precision can be maintained for a long time.

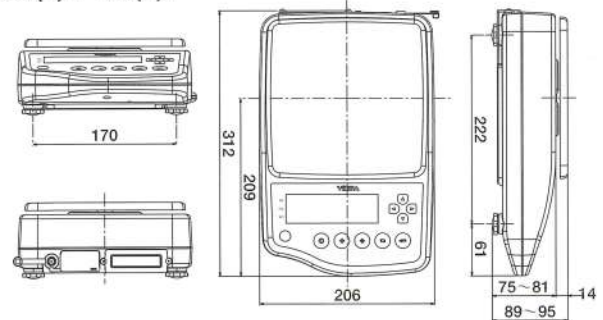


Dimensions

■ CJ220(C)E~820(C)E



■ CJ2200(C)E~15k(C)E



The contents of this catalogue are subject to change due to modifications and/or other reasons.

SHINKO DENSHI CO., LTD.

SHINKO DENSHI CO., LTD.
3-9-11 YUSHIMA, BUNKYO-KU, TOKYO 113-0034
TEL : 81-3-3835-4577 FAX : 81-3-5818-6066
URL : <http://www.vibra.co.jp> E-mail : shinko@vibra.co.jp

Distributed by:

Specifications

CJ-xxxCE stands for EC type approval model

with EC approval	CJ-220E CJ-220CE	CJ-320E CJ-320CE	CJ-620E CJ-620CE	CJ-820E CJ-820CE
Capacity	220g	320g	620g	820g
Readability	0.01g	0.01g	0.01g	0.01g
Non-linearity *1	±0.01g			
Repeatability *2	0.01g			
Pan size	140mm dia.			
Calibration	with external weight			
Weight units *3	g, ct, oz, lb, ozt, dwt, GN tl (Hong Kong), tl (Singapore, Malaysia), tl (Taiwan), momme, tola			
Dimensions(LWH)	310×208×87mm			

with EC approval	CJ-2200E CJ-2200CE	CJ-3200E CJ-3200CE	CJ-6200E CJ-6200CE	CJ-8200E CJ-8200CE	CJ-15KE CJ-15KCE
Capacity	2200g	3200g	6200g	8200g	15000g
Readability	0.1g	0.1g	0.1g	0.1g	1g
Non-linearity *1	±0.1g				±1g
Repeatability *2	0.1g				1g
Pan size	190×190mm				
Calibration	with external weight				
Weight units *3	g, ct, oz, lb, ozt, dwt, GN tl (Hong Kong), tl (Singapore, Malaysia), tl (Taiwan), momme, tola				
Dimensions(LWH)	310×208×87mm				

*1 typical value *2 standard deviation *3 only g, kg & ct are available in CE models.

* e=d for all CE models

Options

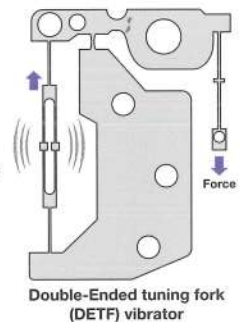
CJ-R4	RS422A output (D-sub 9p)
CJ-BZ	Buzzer output
CJ-LM	Relay contact (Din 9p)
CJ-LS	Full pack (BZ, RS, LM)
CJ-BT	Dry -cell battery
CJ-WR	Water-proof cable for RS232C output (9PWP-9P)
AJUH(S)	Under-weighing hook
CJ-AP(S)	Bucket for animal weighing (620g, 820g)
CJ-AP(M)	Bucket for animal weighing (2200-6200g)
CJ-AP(L)	Bucket for animal weighing (8200g-15kg)

Common Specification

Measuring system	Power source : AC120/230V 6DC
: Tuning-fork frequency sensing	Output : RS232C (standard)
Tare : Full weighing range	IP rating : 65
Display : LCD with Back-light	

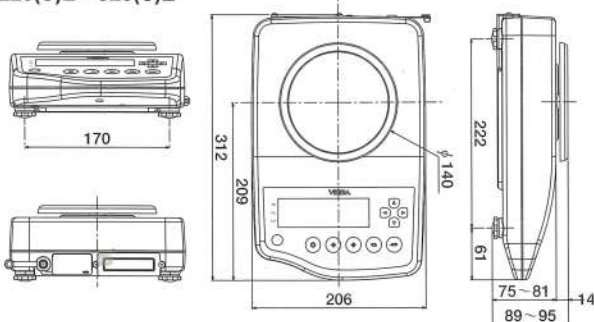
What makes the tuning-fork sensor so precise?

The tuning-fork sensor measures force or mass by gauging changes in oscillation frequency when a load is applied to a long, narrow vibrator, and it digitally outputs the readings. Unlike load cell or electromagnetic systems, the tuning-fork sensor does not rely on material distortion, electromagnetic force, heavy power consumption, or A/D converters, so its inherent margin of error is extremely small, and its high precision can be maintained for a long time.

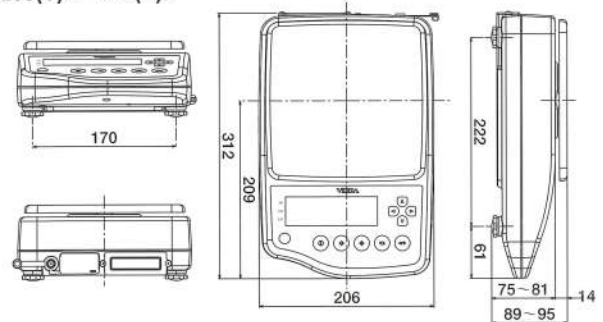


Dimensions

■ CJ220(C)E~820(C)E



■ CJ2200(C)E~15k(C)E



The contents of this catalogue are subject to change due to modifications and/or other reasons.

SHINKO DENSHI CO., LTD.

SHINKO DENSHI CO., LTD.
3-9-11 YUSHIMA, BUNKYO-KU, TOKYO 113-0034
TEL : 81-3-3835-4577 FAX : 81-3-5818-6066
URL : <http://www.vibra.co.jp> E-mail : shinko@vibra.co.jp

Distributed by: