



Shear Beam Load Cell

# VLC-A100 / VLC-A100S

**APPLICATIONS**

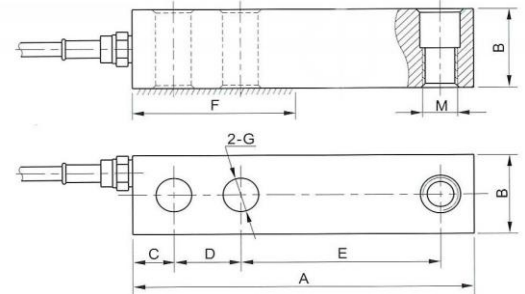
- Tank Weighing
- Hopper weighing
- Platform scales

**WIRING**

RED	Input (+)
BLACK	Input (-)
GREEN	Output (+)
WHITE	Output (-)

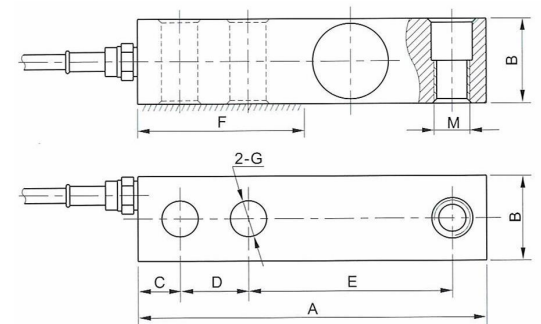
**CAPACITY (lb)**

250, 500



**CAPACITY (klb)**

1, 2, 2.5, 4, 5(se), 5, 10, 15, 20



SPECIFICATIONS	
Rated Output	2mV/V ± 0.2%
Non-Linearity	0.03% F.S.
Hysteresis	0.03% F.S. (VLC-A100)
	0.05% F.S. (VLC-A100S)
Non-repeatability	0.02% F.S.
Creep (in 1 hr)	0.03% F.S.
Zero Balance	± 1%
Temp. effect span	15 PPM/°C
Temp. effect zero	26 PPM/°C
Operating Temp. range	- 20°C ~ + 60°C
Compensated Temp. range	- 10°C ~ + 40°C
Input resistance	385 ± 15Ω / 410 ± 15Ω
Output resistance	350 ± 3Ω
Safe overload	150% F.S.
Ultimate overload	300% F.S.
Excitation voltage	10VDC/AC
Max. Excitation voltage	15VDC/AC
Insulation resistance	≥ 2000MΩ
Environmental protection	IP67
Material	Alloy tool steel (VLC-A100)
	Stainless steel (VLC-A100S)
Cable length	20FT

**DIMENSION**

Capacity (klb)	Size (inch)							Thread inch M
	A	B	C	D	E	F	G	
0.25 - 5se	5.12	1.26	0.62	1.00	3.00	2.20	0.53	½ - 20UNF-2B
5 - 10	6.75	1.50	0.75	1.50	3.75	3.00	0.79	¾ - 16 UNF-2B
15 - 20	8.76	2.00	1.00	2.00	4.87	4.02	1.06	1 - 14 UNF-2B

Virtual Measurements & Control Inc

3196 Coffey Lane, Suite 604, Santa Rosa, CA95403  
Tel: (707) 573 3111 Fax: (707) 573 3113

Dealer

Virtual Measurements & Control (Asia) Pte Ltd

24 Hillview Terrace, Singapore 669235  
Tel: (65) 6762 5522 Fax: (65) 6763 6656



Shear Beam Hermetically Sealed Load Cell

# VLC-A100SH

**APPLICATIONS**

- Tank Weighing
- Hopper weighing
- Platform scales

**WIRING**

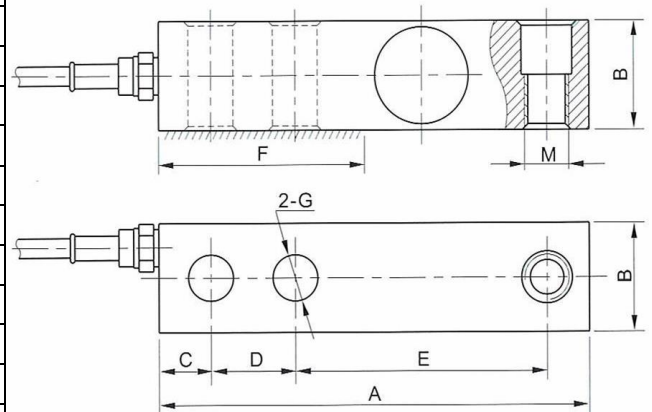
RED	Input (+)
BLACK	Input (-)
GREEN	Output (+)
WHITE	Output (-)

**CAPACITY (klb)**

1, 2.5, 4, 5, 10

**SPECIFICATIONS**

Rated Output	2mV/V ± 0.2%
Non-Linearity	0.03% F.S.
Hysteresis	0.03% F.S.
Non-repeatability	0.02% F.S.
Creep (in 1 hr)	0.03% F.S.
Zero Balance	± 1%
Temp. effect span	15 PPM/°C
Temp. effect zero	26 PPM/°C
Operating Temp. range	- 20°C ~ + 60°C
Compensated Temp. range	- 10°C ~ + 40°C
Input resistance	410 ± 15Ω
Output resistance	350 ± 3Ω
Safe overload	150% F.S.
Ultimate overload	300% F.S.
Excitation voltage	10VDC/AC
Max. Excitation voltage	15VDC/AC
Insulation resistance	≥ 2000MΩ
Environmental protection	IP68
Material	Stainless steel
Cable length	20FT



**DIMENSION**

Capacity (klb)	Size (inch)							Thread inch
	A	B	C	D	E	F	G	M
1 - 4	5.12	1.26	0.62	1.00	3.00	2.20	0.53	½ - 20UNF-2B
5 - 10	6.75	1.50	0.75	1.50	3.75	3.00	0.79	¾ - 16 UNF-2B

Virtual Measurements & Control Inc

196 Coffey Lane, Suite 604, Santa Rosa, CA95403  
Tel: (707) 573 3111 Fax: (707) 573 3113

Virtual Measurements & Control (Asia) Pte Ltd

24 Hillview Terrace, Singapore 669235  
Tel: (65) 6762 5522 Fax: (65) 6763 6656

Dealer



Shear Beam Load Cell

# VLC-B100 / VLC-B100S

**APPLICATIONS**

- Tank Weighing
- Hopper Weighing
- Platform Scales

**WIRING**

RED	Input (+)
BLACK	Input (-)
GREEN	Output (+)
WHITE	Output (-)

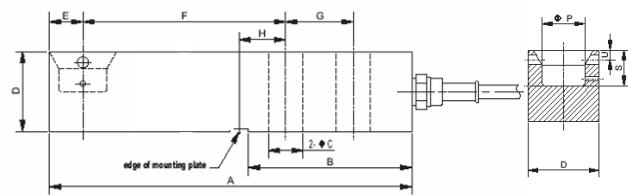
**CAPACITY (lb)**

250, 500



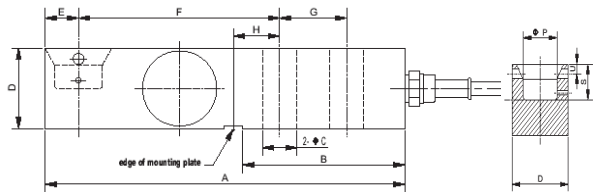
**SPECIFICATIONS**

Rated Output	2mV/V ± 0.2%
Non-Linearity	0.03% F.S.
Hysteresis	0.03% F.S. (VLC-B100) 0.05% F.S. (VLC-B100S)
Non-repeatability	0.02% F.S.
Creep (in 1 hr)	0.03% F.S.
Zero Balance	± 1%
Temp. effect span	15 PPM/°C
Temp. effect zero	26 PPM/°C
Operating Temp. range	- 20°C ~ + 60°C
Compensated Temp. range	- 10°C ~ + 40°C
Input resistance	385 ± 15Ω / 410 ± 15Ω
Output resistance	350 ± 3Ω
Safe overload	150% F.S.
Ultimate overload	300% F.S.
Excitation voltage	10VDC/AC
Max. Excitation voltage	15VDC/AC
Insulation resistance	≥ 2000MΩ
Environmental protection	IP67
Material	Alloy tool steel (VLC-B100) Stainless steel (VLC-B100S)
Cable length	20FT



**CAPACITY (klb)**

1, 2, 2.5, 4, 5



**DIMENSION**

Capacity (klb)	Size (inch)										
	A	B	C	D	E	F	G	H	P	S	U
0.25 - 5	5.37	2.42	0.51	1.18	0.50	3.00	1.00	0.68	7.09	0.59	0.16

Virtual Measurements & Control Inc

196 Coffey Lane, Suite 604, Santa Rosa, CA95403  
Tel: (707) 573 3111 Fax: (707) 573 3113

Virtual Measurements & Control (Asia) Pte Ltd

24 Hillview Terrace, Singapore 669235  
Tel: (65) 6762 5522 Fax: (65) 6763 6656

Dealer



Shear Beam Hermetically Sealed Load Cell

# VLC-B100SH

**APPLICATIONS**

- Tank Weighing
- Hopper Weighing
- Platform Scales

**WIRING**

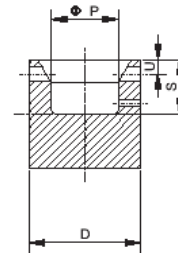
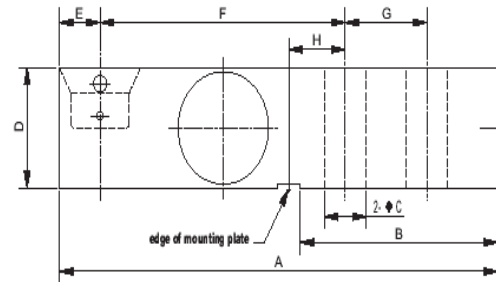
RED	Input (+)
BLACK	Input (-)
GREEN	Output (+)
WHITE	Output (-)

**CAPACITY (K)**

1, 2, 2.5, 4, 5
-----------------

**SPECIFICATIONS**

Rated Output	2mV/V ± 0.2%
Non-Linearity	0.03% F.S.
Hysteresis	0.03% F.S.
Non-repeatability	0.02% F.S.
Creep (in 1 hr)	0.03% F.S.
Zero Balance	± 1%
Temp. effect span	15 PPM/°C
Temp. effect zero	26 PPM/°C
Operating Temp. range	- 20°C ~ + 60°C
Compensated Temp. range	- 10°C ~ + 40°C
Input resistance	410 ± 15Ω
Output resistance	350 ± 3Ω
Safe overload	150% F.S.
Ultimate overload	300% F.S.
Excitation voltage	10VDC/AC
Max. Excitation voltage	15VDC/AC
Insulation resistance	≥ 2000MΩ
Environmental protection	IP68
Material	Stainless steel
Cable length	20FT



**DIMENSION**

Capacity (K)	Size (inch)										
	A	B	C	D	E	F	G	H	P	S	U
1 - 5	5.37	2.42	0.51	1.18	0.50	3.00	1.00	0.68	7.09	0.59	0.16

**Virtual Measurements & Control Inc**

196 Coffey Lane, Suite 604, Santa Rosa, CA95403  
Tel: (707) 573 3111 Fax: (707) 573 3113

**Virtual Measurements & Control (Asia) Pte Ltd**

24 Hillview Terrace, Singapore 669235  
Tel: (65) 6762 5522 Fax: (65) 6763 6656

Dealer



Double Ended Shear Beam Load Cell

# VLC-A101

**APPLICATIONS**

Tank, Bin, Silo  
Batching, Blending,  
Mixing Systems

**WIRING**

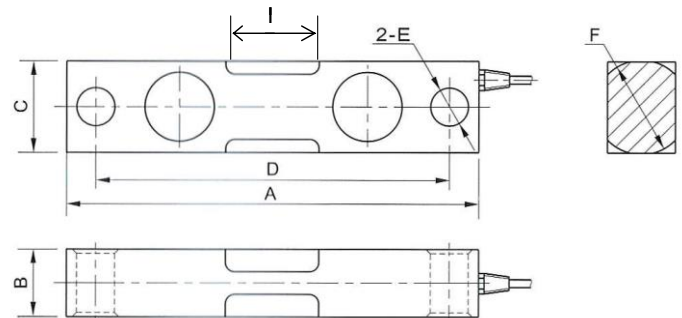
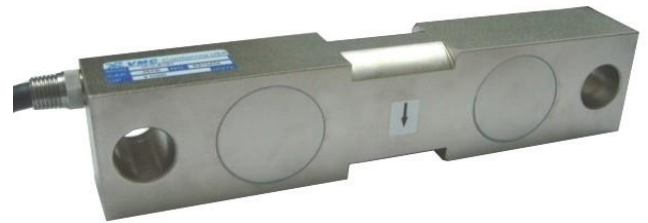
RED	Input (+)
BLACK	Input (-)
GREEN	Output (+)
WHITE	Output (-)

**CAPACITY (klb)**

1, 2, 2.5, 5, 10
15, 20, 25, 50, 75

**SPECIFICATIONS**

Rated Output	3mV/V ± 0.25%
Non-Linearity	0.03% F.S.
Hysteresis	0.03% F.S.
Non-repeatability	0.02% F.S.
Creep (in 1 hr)	0.03% F.S.
Zero Balance	± 1%
Temp. effect span	15 PPM/°C
Temp. effect zero	26 PPM/°C
Operating Temp. range	- 20°C ~ + 60°C
Compensated Temp. range	- 10°C ~ + 40°C
Input resistance	770 ± 15Ω
Output resistance	700 ± 5Ω
Safe overload	150% F.S.
Ultimate overload	300% F.S.
Excitation voltage	10VDC/AC
Max. Excitation voltage	20VDC/AC
Insulation resistance	≥ 2000MΩ
Environmental protection	IP67
Material	Alloy tool steel
Cable length	50FT



**DIMENSION**

Capacity (klb)	Size (inch)						
	A	B	C	D	E	F	I
1-5	7.5	1.25	1.25	6.25	0.5	1.25	1.12
10-15	8.75	1.44	1.94	7.5	0.81	2	1.62
35	8.75	1.5	2.5	7.5	0.81	2.5	1.62
50-75	13.5	2.44	2.94	11.5	1.31	3	3.25

Virtual Measurements & Control Inc

196 Coffey Lane, Suite 604, Santa Rosa, CA95403  
Tel: (707) 573 3111 Fax: (707) 573 3113

Dealer

Virtual Measurements & Control (Asia) Pte Ltd

24 Hillview Terrace, Singapore 669235  
Tel: (65) 6762 5522 Fax: (65) 6763 6656



Double Ended Shear Beam Load Cell

# VLC-A102

**APPLICATIONS**

Truck Scale, Tank, Bin,  
Silo Batching, Blending  
and Mixing System

**WIRING**

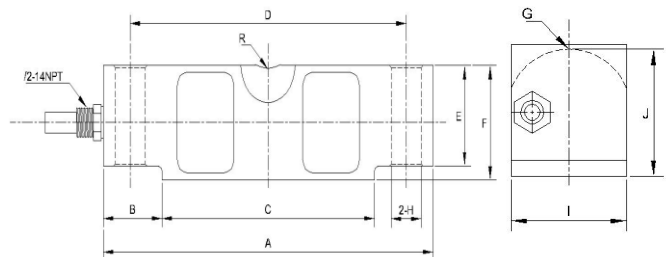
RED	Input (+)
BLACK	Input (-)
GREEN	Output (+)
WHITE	Output (-)

**CAPACITY (klb)**

10, 25, 40, 50, 75, 125 150, 200

**SPECIFICATIONS**

Rated Output	3mV/V ± 0.25%
Non-Linearity	0.03% F.S.
Hysteresis	0.03% F.S.
Non-repeatability	0.02% F.S.
Creep (in 1 hr)	0.03% F.S.
Zero Balance	± 1%
Temp. effect span	15 PPM/°C
Temp. effect zero	26 PPM/°C
Operating Temp. range	- 20°C ~ + 60°C
Compensated Temp. range	- 10°C ~ + 40°C
Input resistance	770 ± 15Ω
Output resistance	700 ± 5Ω
Safe overload	150% F.S.
Ultimate overload	300% F.S.
Excitation voltage	10VDC/AC
Max. Excitation voltage	30VDC/AC
Insulation resistance	≥ 2000MΩ
Environmental protection	IP67
Material	Alloy tool steel
Cable length	50FT



**DIMENSION**

Capacity (klb)	Size (inch)										
	A	B	C	D	E	F	G	H	I	J	R
10-25	7.75	1.38	5.00	6.50	1.70	1.94	0.90	0.70	1.71	1.87	0.75
40	10.25	1.93	6.39	8.50	2.12	2.44	1.12	0.81	1.97	2.34	1.00
50-75	10.25	1.93	6.39	8.50	2.64	2.94	1.37	1.06	2.43	2.84	1.00
100-125	15.24	3.15	8.94	12.75	3.43	3.86	1.80	1.62	2.91	3.73	1.50
200	19.25	4.00	11.25	15.24	5.12	5.80	1.80	1.62	3.80	5.12	2.00

Virtual Measurements & Control Inc

196 Coffey Lane, Suite 604, Santa Rosa, CA95403  
Tel: (707) 573 3111 Fax: (707) 573 3113

Dealer

Virtual Measurements & Control (Asia) Pte Ltd

24 Hillview Terrace, Singapore 669235  
Tel: (65) 6762 5522 Fax: (65) 6763 6656



Cantilever Load Cell

# VLC-A106 / VLC-A106S

### APPLICATIONS

Tank Weighing  
Hopper Weighing  
Platform Scales

### WIRING

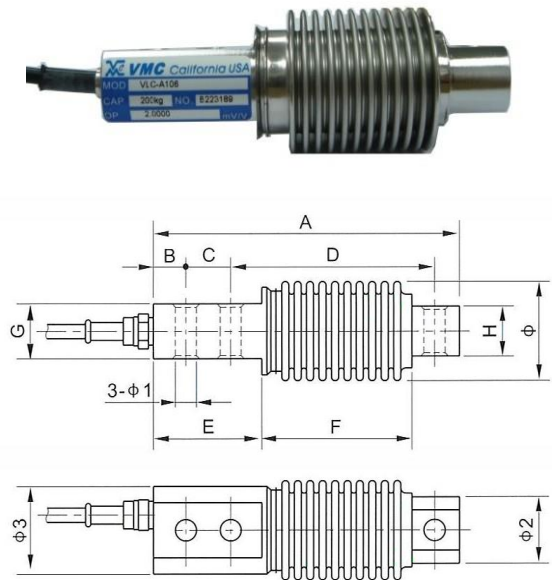
RED	Input (+)
BLACK	Input (-)
GREEN	Output (+)
WHITE	Output (-)

### CAPACITY (kg)

10, 20, 30, 50, 100, 200, 300, 1000
-------------------------------------

### SPECIFICATIONS

Rated Output	2mV/V ± 0.1%
Non-Linearity	0.03% F.S.
Hysteresis	0.03% F.S.
Non-repeatability	0.02% F.S.
Creep (in 1 hr)	0.03% F.S.
Zero Balance	± 1%
Temp. effect span	15 PPM/°C
Temp. effect zero	26 PPM/°C
Operating Temp. range	- 20°C ~ + 60°C
Compensated Temp. range	- 10°C ~ + 40°C
Input resistance	385 ± 15Ω / 410 ± 15Ω
Output resistance	350 ± 3Ω
Safe overload	150% F.S.
Ultimate overload	300% F.S.
Excitation voltage	10VDC/AC
Max. Excitation voltage	15VDC/AC
Insulation resistance	≥ 2000MΩ
Environmental protection	IP68
Material	Alloy tool steel (VLC-A106) Stainless steel (VLC-A106S)
Cable length	50FT



### DIMENSION

Capacity (kg)	Size (mm)											
	A	B	C	D	E	F	G	H	Φ	Φ1	Φ2	Φ3
10-200	4.84	0.51	0.71	3.23	1.81	2.28	0.87	0.79	1.61	0.33	1.02	1.38
300-1000	8.27	0.60	1.57	5.24	3.58	2.60	1.34	0.98	2.20	0.51	1.42	1.97

### Virtual Measurements & Control Inc

196 Coffey Lane, Suite 604, Santa Rosa, CA95403  
Tel: (707) 573 3111 Fax: (707) 573 3113

### Virtual Measurements & Control (Asia) Pte Ltd

24 Hillview Terrace, Singapore 669235  
Tel: (65) 6762 5522 Fax: (65) 6763 6656

Dealer



“S” Type Load Cell

# VLC-A110 / VLC-A110S

**APPLICATIONS**

Mechanical Scale Conversion,  
 Tank, Bin and Hopper Weighing,  
 Truck Scale Conversion,  
 Tension/Compression Measurement.

**WIRING**

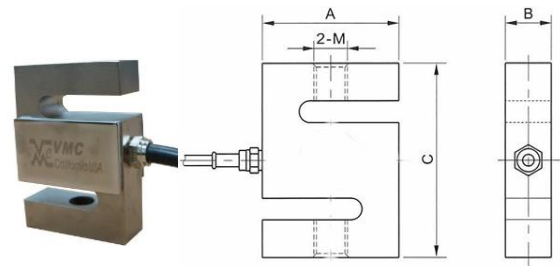
RED	Input (+)
BLACK	Input (-)
GREEN	Output (+)
WHITE	Output (-)

**CAPACITY (lb)**

50, 100, 150, 250, 500
------------------------

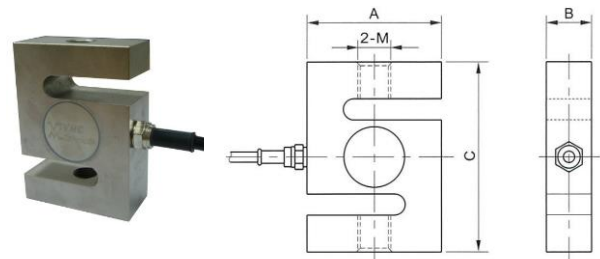
**SPECIFICATIONS**

Rated Output	2mV/V ± 0.2%
Non-Linearity	0.03% F.S.
Hysteresis	0.03% F.S. (VLC-A110)
	0.05% F.S. (VLC-A110S)
Non-repeatability	0.02% F.S.
Creep (in 1 hr)	0.03% F.S.
Zero Balance	± 1%
Temp. effect span	15 PPM/°C
Temp. effect zero	26 PPM/°C
Operating Temp. range	- 20°C ~ + 60°C
Compensated Temp. range	- 10°C ~ + 40°C
Input resistance	385 ± 15Ω / 410 ± 15Ω
Output resistance	350 ± 3Ω
Safe overload	150% F.S.
Ultimate overload	300% F.S.
Excitation voltage	10VDC/AC
Max. Excitation voltage	15VDC/AC
Insulation resistance	≥ 2000MΩ
Environmental protection	IP67
Material	Alloy tool steel (VLC-A110)
	Stainless steel (VLC-A110S)
Cable length	20FT



**CAPACITY (klb)**

1, 1.5, 2, 3, 5, 10, 15, 20
-----------------------------



**DIMENSION**

Capacity (klb)	Size (inch)			Thread (inch)
	A	B	C	
50 - 150	2.00	0.50	2.50	¼ - 28
200 - 1.5K	2.00	0.75	3.00	½ - 20
2K - 4K	2.10	1.00	3.00	½ - 20
5K - 10K	3.00	1.00	4.25	¾ - 16
20K	5.00	2.00	7.00	1¼ - 12

Virtual Measurements & Control Inc

196 Coffey Lane, Suite 604, Santa Rosa, CA95403  
 Tel: (707) 573 3111 Fax: (707) 573 3113

Dealer

Virtual Measurements & Control (Asia) Pte Ltd

24 Hillview Terrace, Singapore 669235  
 Tel: (65) 6762 5522 Fax: (65) 6763 6656





Compression Load Cell

# VLC-A120 / VLC-A120S

**APPLICATIONS**

Tank Weighing,  
Hopper Weighing,  
Truck Scale

**WIRING**

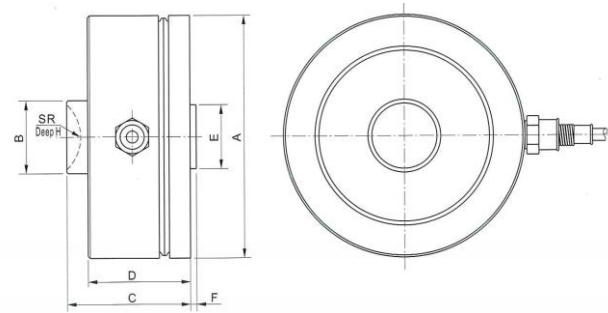
RED	Input (+)
BLACK	Input (-)
GREEN	Output (+)
WHITE	Output (-)

**CAPACITY (klb)**

5, 10, 25, 50, 100
--------------------

**SPECIFICATIONS**

Rated Output	4mV/V ± 0.25%
Non-Linearity	0.03% F.S.
Hysteresis	0.03% F.S.
Non-repeatability	0.02% F.S.
Creep (in 1 hr)	0.03% F.S.
Zero Balance	± 1%
Temp. effect span	15 PPM/°C
Temp. effect zero	26 PPM/°C
Operating Temp. range	- 20°C ~ + 60°C
Compensated Temp. range	- 10°C ~ + 40°C
Input resistance	385 ± 15Ω / 410 ± 15Ω
Output resistance	350 ± 3Ω
Safe overload	150% F.S.
Ultimate overload	300% F.S.
Excitation voltage	10VDC/AC
Max. Excitation voltage	15VDC/AC
Insulation resistance	≥ 2000MΩ
Environmental protection	IP68
Material	Alloy tool steel (VLC-A120) Stainless steel (VLC-A120S)
Cable length	50FT



**DIMENSION**

Capacity (klb)	Size (inch)							
	A	B	C	D	E	F	H	SR
5-15	4.12	1.26	2.12	2.00	1.25	0.04	0.20	0.63
25-50	4.75	1.53	3.06	2.56	1.25	0.04	0.31	0.87
100	5.51	1.98	3.39	3.14	1.25	0.04	0.31	0.98

**Virtual Measurements & Control Inc**

196 Coffey Lane, Suite 604, Santa Rosa, CA95403  
Tel: (707) 573 3111 Fax: (707) 573 3113

Dealer

**Virtual Measurements & Control (Asia) Pte Ltd**

24 Hillview Terrace, Singapore 669235  
Tel: (65) 6762 5522 Fax: (65) 6763 6656



Compression Load Cell

# VLC-B120 / VLC-B120S

**APPLICATIONS**

Tank weighing,  
Hopper weighing,  
Truck scale

**WIRING**

RED	Input (+)
BLACK	Input (-)
GREEN	Output (+)
WHITE	Output (-)

**CAPACITY (klb)**

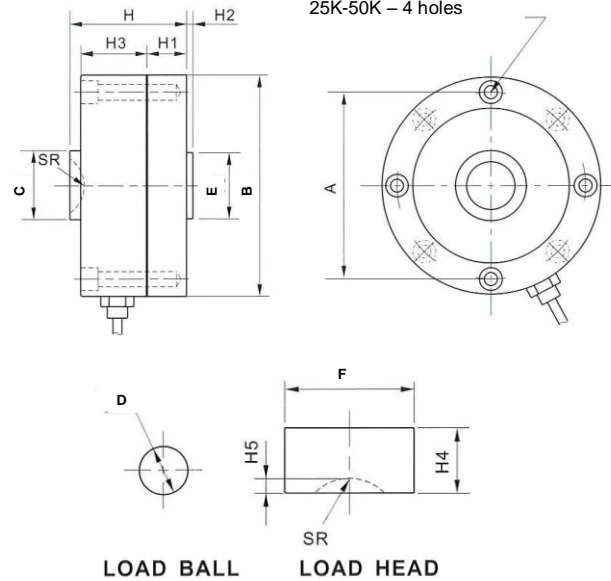
5, 10, 15, 25, 50, 100, 150, 200

**SPECIFICATIONS**

Rated Output	4mV/V ± 0.25%
Non-Linearity	0.03% F.S.
Hysteresis	0.03% F.S.
Non-repeatability	0.02% F.S.
Creep (in 1 hr)	0.03% F.S.
Zero Balance	± 1%
Temp. effect span	15 PPM/°C
Temp. effect zero	26 PPM/°C
Operating Temp. range	- 20°C ~ + 60°C
Compensated Temp. range	- 10°C ~ + 40°C
Input resistance	385 ± 15Ω / 410 ± 15Ω
Output resistance	350 ± 3Ω
Safe overload	150% F.S.
Ultimate overload	300% F.S.
Excitation voltage	10VDC/AC
Max. Excitation voltage	15VDC/AC
Insulation resistance	≥ 2000MΩ
Environmental protection	IP67 (VLC-B120) IP68 (VLC-B120S)
Material	Alloy tool steel (VLC-B120) Stainless steel (VLC-B120S)
Cable length	50FT



200K – 16 holes  
5K-10K, 100K – 8 holes  
25K-50K – 4 holes



**DIMENSION**

Capacity (klb)	Size (inch)												
	A	B	C	D	E	F	H	H1	H2	H3	H4	H5	SR
5-15	3.50	4.12	1.26	0.87	1.25	1.61	2.12	0.75	0.04	1.25	0.55	0.20	0.63
25-50	4.00	4.75	1.53	1.50	1.25	1.69	3.06	0.94	0.04	1.62	0.75	0.31	0.87
100	4.60	5.51	1.98	1.63	1.25	2.32	3.39	1.14	0.04	2.00	1.26	0.31	0.98
150-200	6.38	7.87	2.99	3.00	2.00	3.86	4.92	1.65	0.04	2.76	2.17	0.51	1.77

Virtual Measurements & Control Inc

196 Coffey Lane, Suite 604, Santa Rosa, CA95403  
Tel: (707) 573 3111 Fax: (707) 573 3113

Dealer

Virtual Measurements & Control (Asia) Pte Ltd

24 Hillview Terrace, Singapore 669235  
Tel: (65) 6762 5522 Fax: (65) 6763 6656



Compression Double-Ended Load Cell

# VLC-A121

**APPLICATIONS**

Tank Weighing,  
Truck Scale

**WIRING**

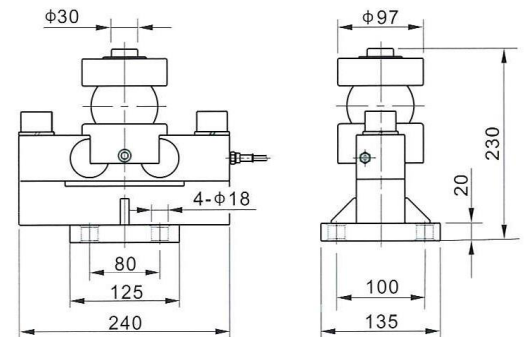
RED	Input (+)
BLACK	Input (-)
GREEN	Output (+)
WHITE	Output (-)

**CAPACITY (T)**

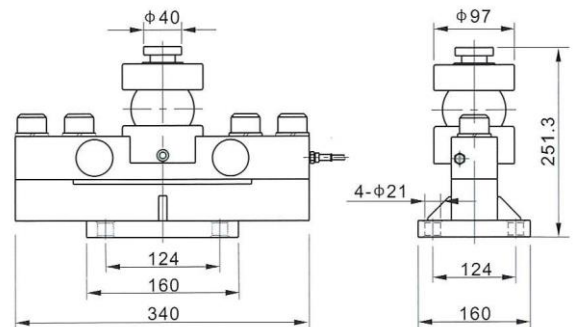
10, 25, 30, 50



Capacity: 10T, 25T, 30T



Capacity: 50T



SPECIFICATIONS	
Rated Output	2mV/V ± 0.1%
Non-Linearity	0.03% F.S.
Hysteresis	0.03% F.S.
Non-repeatability	0.02% F.S.
Creep (in 1 hr)	0.03% F.S.
Zero Balance	± 1%
Temp. effect span	15 PPM/°C
Temp. effect zero	26 PPM/°C
Operating Temp. range	- 20°C ~ + 60°C
Compensated Temp. range	- 10°C ~ + 40°C
Input resistance	770 ± 40Ω
Output resistance	700 ± 5Ω
Safe overload	150% F.S.
Ultimate overload	300% F.S.
Excitation voltage	10VDC/AC
Max. Excitation voltage	30VDC/AC
Insulation resistance	≥ 5000MΩ
Environmental protection	IP67
Material	Alloy tool steel
Cable length	50FT

**Virtual Measurements & Control Inc**

196 Coffey Lane, Suite 604, Santa Rosa, CA95403  
Tel: (707) 573 3111 Fax: (707) 573 3113

**Virtual Measurements & Control (Asia) Pte Ltd**

24 Hillview Terrace, Singapore 669235  
Tel: (65) 6762 5522 Fax: (65) 6763 6656

Dealer



Compression Load Cell

# VLC-A123

**APPLICATIONS**

Truck scale

**WIRING**

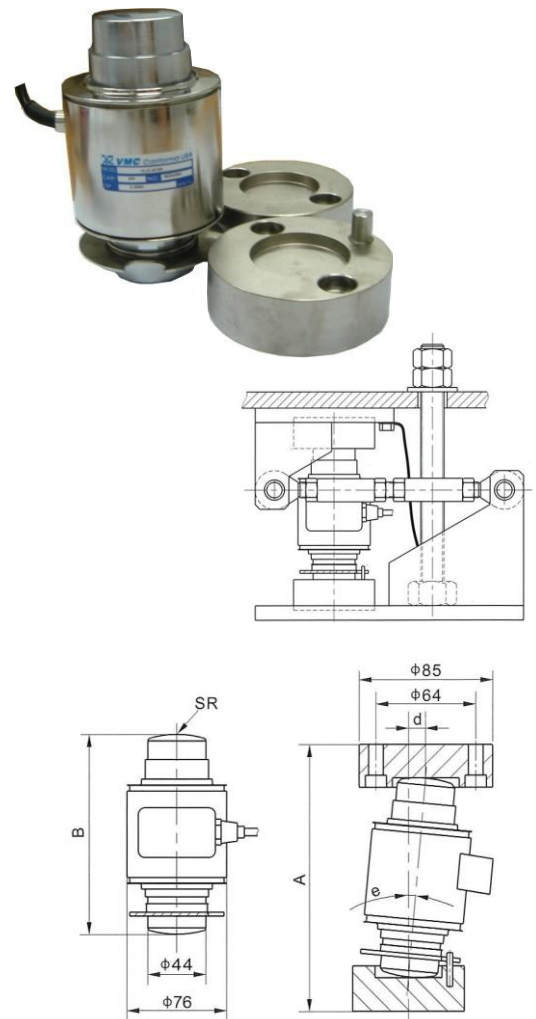
RED	Input (+)
BLACK	Input (-)
GREEN	Output (+)
WHITE	Output (-)

**CAPACITY (T)**

20, 30, 40, 50
----------------

**SPECIFICATIONS**

Rated Output	2mV/V ± 0.1%
Non-Linearity	0.03% F.S.
Hysteresis	0.03% F.S.
Non-repeatability	0.02% F.S.
Creep (in 1 hr)	0.03% F.S.
Zero Balance	± 1%
Temp. effect span	15 PPM/°C
Temp. effect zero	26 PPM/°C
Operating Temp. range	- 20°C ~ + 60°C
Compensated Temp. range	- 10°C ~ + 40°C
Input resistance	700 ± 15Ω
Output resistance	700 ± 5Ω
Safe overload	150% F.S.
Ultimate overload	300% F.S.
Excitation voltage	10VDC/AC
Max. Excitation voltage	30VDC/AC
Insulation resistance	≥ 2000MΩ
Environmental protection	IP68
Material (Outer S/S only)	Alloy tool steel
Cable length	50FT



**DIMENSION**

Capacity (T)	Size (mm)				
	A	B	d(max)	e(max)	SR
20	200.0	150.0	13.0	5.0°	130.0
30	200.0	150.0	13.0	5.0°	160.0
40	200.0	150.0	13.0	5.0°	180.0
50	260.0	210.0	11.0	5.0°	220.0

**Virtual Measurements & Control Inc**

196 Coffey Lane, Suite 604, Santa Rosa, CA95403  
Tel: (707) 573 3111 Fax: (707) 573 3113

**Virtual Measurements & Control (Asia) Pte Ltd**

24 Hillview Terrace, Singapore 669235  
Tel: (65) 6762 5522 Fax: (65) 6763 6656

Dealer



# Compression Load Cell

## VLC-A125

### APPLICATIONS

Truck Scale

### WIRING

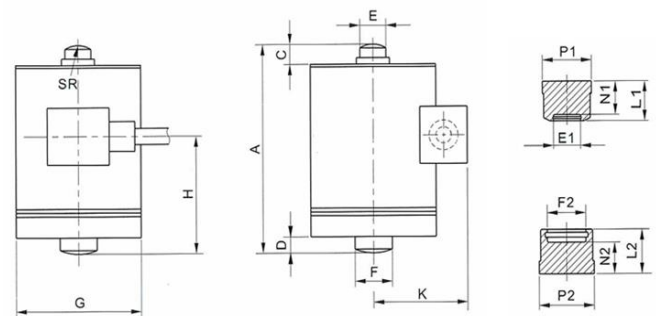
RED	Input (+)
BLACK	Input (-)
GREEN	Output (+)
WHITE	Output (-)
BLUE	Sense (+)
YELLOW	Sense (-)

### CAPACITY (T)

12, 24, 36

### SPECIFICATIONS

Rated Output	1.8mV/V ± 0.1%
Non-Linearity	0.03% F.S.
Hysteresis	0.03% F.S.
Non-repeatability	0.02% F.S.
Creep (in 1 hr)	0.03% F.S.
Zero Balance	± 1%
Temp. effect span	15 PPM/°C
Temp. effect zero	26 PPM/°C
Operating Temp. range	- 20°C ~ + 60°C
Compensated Temp. range	- 10°C ~ + 40°C
Input resistance	385 ± 5Ω
Output resistance	350 ± 5Ω
Safe overload	150% F.S.
Ultimate overload	300% F.S.
Excitation voltage	10VDC/AC
Max. Excitation voltage	20VDC/AC
Insulation resistance	≥ 2000MΩ
Environmental protection	IP68
Material (Outer S/S only)	Alloy tool steel
Cable length	50FT



### DIMENSION

Capacity (T)	Size (mm)																
	A	C	D	E	F	G	H	E1	F2	K	SR	P1	P2	L1	L2	N1	N2
12	215.0	11.0	14.0	28.0	40.0	135.0	104.5	30.5	42.5	94.5	120.0	58.0	58.0	38.5	38.5	29.5	29.5
24	247.0	12.0	20.0	33.0	47.0	135.0	104.5	35.5	50.5	94.5	150.0	74.0	74.0	51.5	58.5	41.5	41.5
36	247.0	12.0	20.0	40.0	47.0	135.0	104.5	42.5	50.5	94.5	350.0	80.0	74.0	63.5	58.5	53.5	41.5

### Virtual Measurements & Control Inc

196 Coffey Lane, Suite 604, Santa Rosa, CA95403  
Tel: (707) 573 3111 Fax: (707) 573 3113

Dealer

### Virtual Measurements & Control (Asia) Pte Ltd

24 Hillview Terrace, Singapore 669235  
Tel: (65) 6762 5522 Fax: (65) 6763 6656



Compression Load Cell

# VLC-A127

**APPLICATIONS**

Truck Scale

**WIRING**

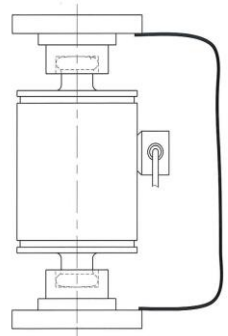
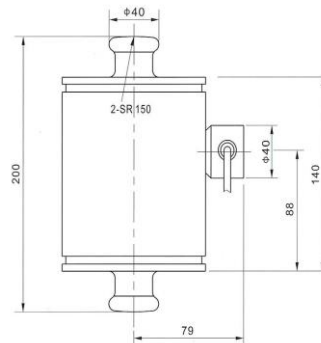
RED	Input (+)
BLACK	Input (-)
GREEN	Output (+)
WHITE	Output (-)
BLUE	Sense (+)
YELLOW	Sense (-)

**CAPACITY (T)**

25, 30
--------

**SPECIFICATIONS**

Rated Output	2mV/V ± 0.1%
Non-Linearity	0.03% F.S.
Hysteresis	0.03% F.S.
Non-repeatability	0.02% F.S.
Creep (in 1 hr)	0.03% F.S.
Zero Balance	± 1%
Temp. effect span	15 PPM/°C
Temp. effect zero	26 PPM/°C
Operating Temp. range	- 20°C ~ + 60°C
Compensated Temp. range	- 10°C ~ + 40°C
Input resistance	750 ± 15Ω
Output resistance	700 ± 5Ω
Safe overload	150% F.S.
Ultimate overload	300% F.S.
Excitation voltage	10VDC/AC
Max. Excitation voltage	30VDC/AC
Insulation resistance	≥ 2000MΩ
Environmental protection	IP68
Material (Outer S/S only)	Alloy tool steel
Cable length	50FT



**Virtual Measurements & Control Inc**

196 Coffey Lane, Suite 604, Santa Rosa, CA95403  
Tel: (707) 573 3111 Fax: (707) 573 3113

**Virtual Measurements & Control (Asia) Pte Ltd**

24 Hillview Terrace, Singapore 669235  
Tel: (65) 6762 5522 Fax: (65) 6763 6656

Dealer



Single Point Load Cell

# VLC-A131

**APPLICATIONS**

- Single Point Platform Scale
- Belt Conveyor
- Bench Scales
- Check Weighing
- Hopper Scales

**WIRING**

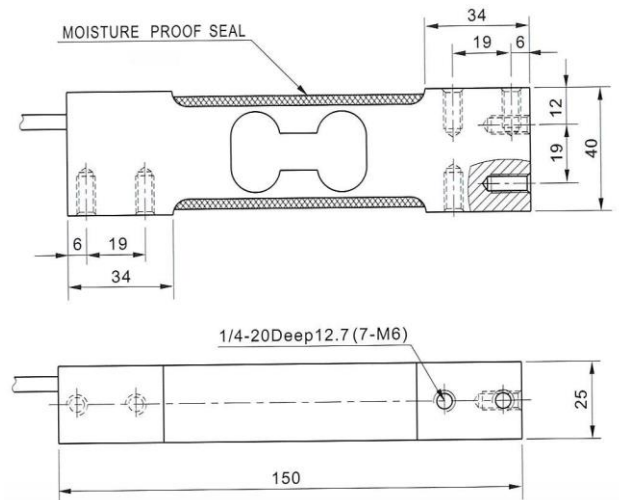
RED	Input (+)
BLACK	Input (-)
GREEN	Output (+)
WHITE	Output (-)

**CAPACITY (lb)**

5, 10, 20, 30, 50, 100, 200
-----------------------------

**SPECIFICATIONS**

Rated Output	2mV/V ± 10%
Non-Linearity	0.03% F.S.
Hysteresis	0.03% F.S.
Non-repeatability	0.02% F.S.
Creep (in 1 hr)	0.03% F.S.
Zero Balance	± 1%
Temp. effect span	15 PPM/°C
Temp. effect zero	26 PPM/°C
Operating Temp. range	- 20°C ~ + 60°C
Compensated Temp. range	- 10°C ~ + 40°C
Input resistance	385 ± 15Ω
Output resistance	350 ± 3Ω
Safe overload	150% F.S.
Ultimate overload	300% F.S.
Excitation voltage	10VDC/AC
Max. Excitation voltage	15VDC/AC
Insulation resistance	≥ 2000MΩ
Environmental protection	IP67
Material	Aluminum
Cable length	5FT



**RECOMMENDED MAX. PLATFORM SIZE**

400mm x 400mm (15.75" x 15.75")
---------------------------------

**Virtual Measurements & Control Inc**

196 Coffey Lane, Suite 604, Santa Rosa, CA95403  
Tel: (707) 573 3111 Fax: (707) 573 3113

**Virtual Measurements & Control (Asia) Pte Ltd**

24 Hillview Terrace, Singapore 669235  
Tel: (65) 6762 5522 Fax: (65) 6763 6656

Dealer



Single Point Load Cell

# VLC-A132

### APPLICATIONS

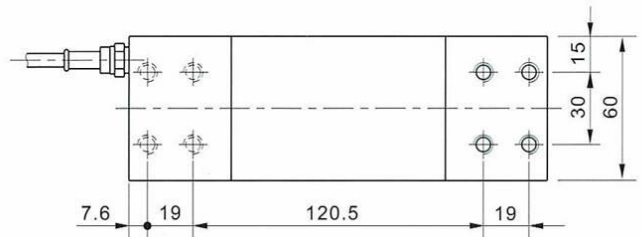
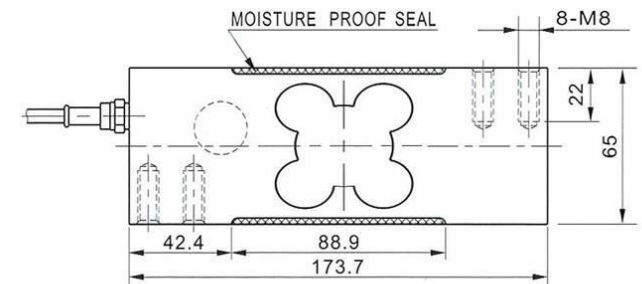
- Single Point Platform Scale
- Belt Conveyor
- Bench Scales
- Check Weighing
- Hopper Scales

WIRING	
RED	Input (+)
BLACK	Input (-)
GREEN	Output (+)
WHITE	Output (-)

CAPACITY (kg)
60, 100, 250, 500, 635



SPECIFICATIONS	
Rated Output	2mV/V ± 10%
Non-Linearity	0.03% F.S.
Hysteresis	0.03% F.S.
Non-repeatability	0.02% F.S.
Creep (in 1 hr)	0.03% F.S.
Zero Balance	± 1%
Temp. effect span	15 PPM/°C
Temp. effect zero	26 PPM/°C
Operating Temp. range	- 20°C ~ + 60°C
Compensated Temp. range	- 10°C ~ + 40°C
Input resistance	385 ± 15Ω
Output resistance	350 ± 3Ω
Safe overload	150% F.S.
Ultimate overload	300% F.S.
Excitation voltage	10VDC/AC
Max. Excitation voltage	15VDC/AC
Insulation resistance	≥ 2000MΩ
Environmental protection	IP67
Material	Aluminum
Cable length	9FT



RECOMMENDED MAX. PLATFORM SIZE
600mm x 600mm

Virtual Measurements & Control Inc

196 Coffey Lane, Suite 604, Santa Rosa, CA95403  
Tel: (707) 573 3111 Fax: (707) 573 3113

Virtual Measurements & Control (Asia) Pte Ltd

24 Hillview Terrace, Singapore 669235  
Tel: (65) 6762 5522 Fax: (65) 6763 6656

Dealer





Single Point Load Cell

# VLC-A133

### APPLICATIONS

- Single Point Platform Scale
- Belt Conveyor
- Bench Scales
- Check Weighing
- Hopper Scales

### WIRING

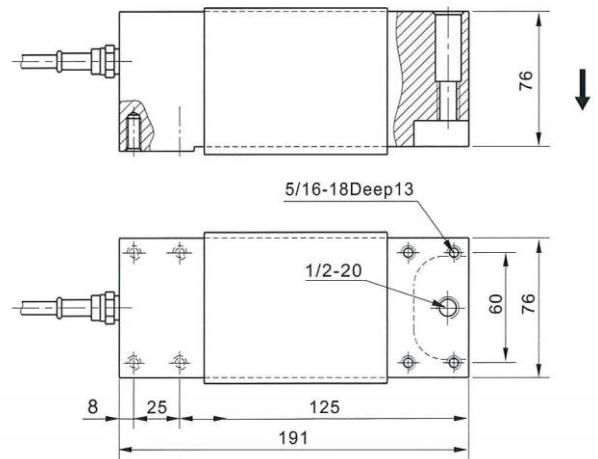
RED	Input (+)
BLACK	Input (-)
GREEN	Output
WHITE	Output

### CAPACITY (kg)

100, 250, 500, 635, 1000



SPECIFICATIONS	
Rated Output	2mV/V ± 10%
Non-Linearity	0.03% F.S.
Hysteresis	0.03% F.S.
Non-repeatability	0.02% F.S.
Creep (in 1 hr)	0.03% F.S.
Zero Balance	± 1%
Temp. effect span	15 PPM/°C
Temp. effect zero	26 PPM/°C
Operating Temp. range	- 20°C ~ + 60°C
Compensated Temp. range	- 10°C ~ + 40°C
Input resistance	385 ± 15Ω
Output resistance	350 ± 3Ω
Safe overload	150% F.S.
Ultimate overload	300% F.S.
Excitation voltage	10VDC/AC
Max. Excitation voltage	15VDC/AC
Insulation resistance	≥ 2000MΩ
Environmental protection	IP67
Material (Outer S/S only)	Aluminum
Cable length	8FT



### RECOMMENDED MAX. PLATFORM SIZE

600mm x 600mm

#### Virtual Measurements & Control Inc

196 Coffey Lane, Suite 604, Santa Rosa, CA95403  
Tel: (707) 573 3111 Fax: (707) 573 3113

#### Virtual Measurements & Control (Asia) Pte Ltd

24 Hillview Terrace, Singapore 669235  
Tel: (65) 6762 5522 Fax: (65) 6763 6656

Dealer



Single Point Load Cell

# VLC-A134

### APPLICATIONS

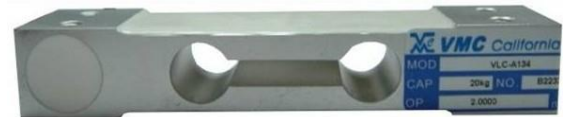
- Single Point Platform Scale
- Belt Conveyor
- Bench Scales
- Check Weighing
- Hopper Scales

### WIRING

RED	Input (+)
BLACK	Input (-)
GREEN	Output (+)
WHITE	Output (-)

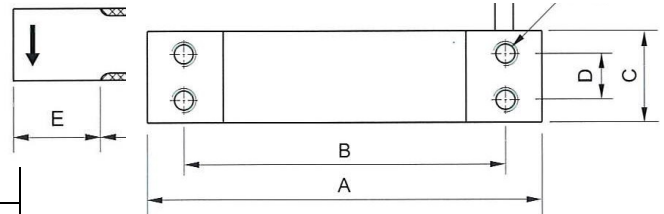
### CAPACITY (kg)

3, 6, 10, 20, 25, 35, 50, 100, 200, 250



### SPECIFICATIONS

Rated Output	2mV/V ± 10%
Non-Linearity	0.03% F.S.
Hysteresis	0.03% F.S.
Non-repeatability	0.02% F.S.
Creep (in 1 hr)	0.03% F.S.
Zero Balance	± 1%
Temp. effect span	15 PPM/°C
Temp. effect zero	26 PPM/°C
Operating Temp. range	- 20°C ~ + 60°C
Compensated Temp. range	- 10°C ~ + 40°C
Input resistance	385 ± 15Ω
Output resistance	350 ± 3Ω
Safe overload	150% F.S.
Ultimate overload	300% F.S.
Excitation voltage	10VDC/AC
Max. Excitation voltage	15VDC/AC
Insulation resistance	≥ 2000MΩ
Environmental protection	IP67
Material	Aluminum
Cable length	15FT



### RECOMMENDED MAX. PLATFORM SIZE

350mm x 350mm

### DIMENSION

Capacity (kg)	Size (mm)						
	A	B	C	D	E	F	M
1-3	70.0	58.0	15.0	7.0	12.0	46.0	M3
6-20	130.0	106.0	30.0	15.0	25.0	80.0	M6
25-35	130.0	106.0	40.0	15.0	25.0	80.0	M6
50-250	130.0	106.0	50.0	25.0	25.0	80.0	M8

### Virtual Measurements & Control Inc

196 Coffey Lane, Suite 604, Santa Rosa, CA95403  
Tel: (707) 573 3111 Fax: (707) 573 3113

Dealer

### Virtual Measurements & Control (Asia) Pte Ltd

24 Hillview Terrace, Singapore 669235  
Tel: (65) 6762 5522 Fax: (65) 6763 6656



### Stainless Steel Single Point Load Cell

# VLC-A137S

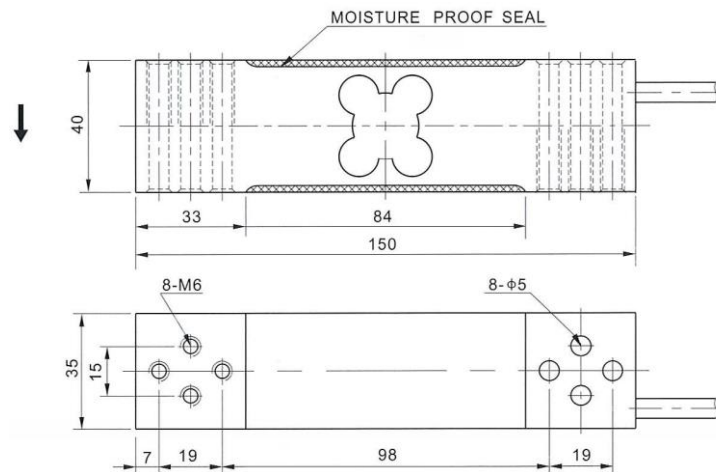
#### APPLICATIONS

- Single Point Platform Scale
- Belt Conveyor
- Bench Scales
- Check Weighing
- Hopper Scales

WIRING	
RED	Input (+)
BLACK	Input (-)
GREEN	Output (+)
WHITE	Output (-)

CAPACITY (kg)
50, 60, 80, 100, 150, 200, 250, 300

SPECIFICATIONS	
Rated Output	2mV/V ± 0.1%
Non-Linearity	0.03% F.S.
Hysteresis	0.03% F.S.
Non-repeatability	0.02% F.S.
Creep (in 1 hr)	0.03% F.S.
Zero Balance	± 1%
Temp. effect span	15 PPM/°C
Temp. effect zero	26 PPM/°C
Operating Temp. range	- 20°C ~ + 60°C
Compensated Temp. range	- 10°C ~ + 40°C
Input resistance	410 ± 15Ω
Output resistance	350 ± 3Ω
Safe overload	150% F.S.
Ultimate overload	300% F.S.
Excitation voltage	10VDC/AC
Max. Excitation voltage	15VDC/AC
Insulation resistance	≥ 2000MΩ
Environmental protection	IP67
Material	Stainless Steel
Cable length	20FT



RECOMMENDED MAX. PLATFORM SIZE
450mm x 450mm

#### Virtual Measurements & Control Inc

196 Coffey Lane, Suite 604, Santa Rosa, CA95403  
Tel: (707) 573 3111 Fax: (707) 573 3113

#### Virtual Measurements & Control (Asia) Pte Ltd

24 Hillview Terrace, Singapore 669235  
Tel: (65) 6762 5522 Fax: (65) 6763 6656

Dealer



Single Point Load Cell

# VLC-A138

**APPLICATIONS**

- Single Point Platform Scale
- Belt Conveyor
- Bench Scales
- Check Weighing
- Hopper Scales

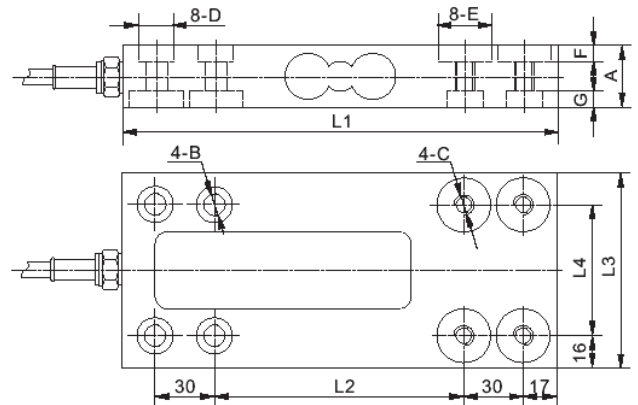
**WIRING**

RED	Input (+)
BLACK	Input (-)
GREEN	Output (+)
WHITE	Output (-)

**CAPACITY (kg)**

50, 100, 150, 300, 500, 1000, 1200
------------------------------------

SPECIFICATIONS	
Rated Output	2mV/V ± 10%
Non-Linearity	0.03% F.S.
Hysteresis	0.03% F.S.
Non-repeatability	0.02% F.S.
Creep (in 1 hr)	0.03% F.S.
Zero Balance	± 1%
Temperature effect span	15 PPM/°C
Temp. effect zero	26 PPM/°C
Operating Temp. range	- 20°C ~ + 60°C
Compensated Temp. range	- 10°C ~ + 40°C
Input resistance	410 ± 15Ω
Output resistance	350 ± 3Ω
Safe overload	150% F.S.
Ultimate overload	300% F.S.
Excitation voltage	10VDC/AC
Max. Excitation voltage	15VDC/AC
Insulation resistance	≥ 2000MΩ
Environmental protection	IP67
Material	Aluminum
Cable length	20FT



**RECOMMENDED MAX. PLATFORM SIZE**

600mm x 800mm (50~500kg)
1000mm x 1200mm (1000~1200kg)

Capacity (kg)	DIMENSION Size (mm)										
	A	B	C	D	E	F	G	L1	L2	L3	L4
50-100	25.0	9.0	M8	18.0	18.0	8.0	8.0	200.0	110.0	80.0	56.0
150	27.0	11.0	M10	18.0	27.0	8.0	8.0	220.0	126.0	98.0	66.0
300	31.0	11.0	M10	18.0	27.0	8.0	8.0	220.0	126.0	98.0	66.0
500	36.0	11.0	M10	18.0	27.0	8.0	8.0	220.0	126.0	98.0	66.0
1000-1200	47.0	13.0	M12	22.0	27.0	10.0	10.0	220.0	126.0	98.0	66.0

Virtual Measurements & Control Inc

196 Coffey Lane, Suite 604, Santa Rosa, CA95403  
Tel: (707) 573 3111 Fax: (707) 573 3113

Dealer

Virtual Measurements & Control (Asia) Pte Ltd

24 Hillview Terrace, Singapore 669235  
Tel: (65) 6762 5522 Fax: (65) 6763 6656